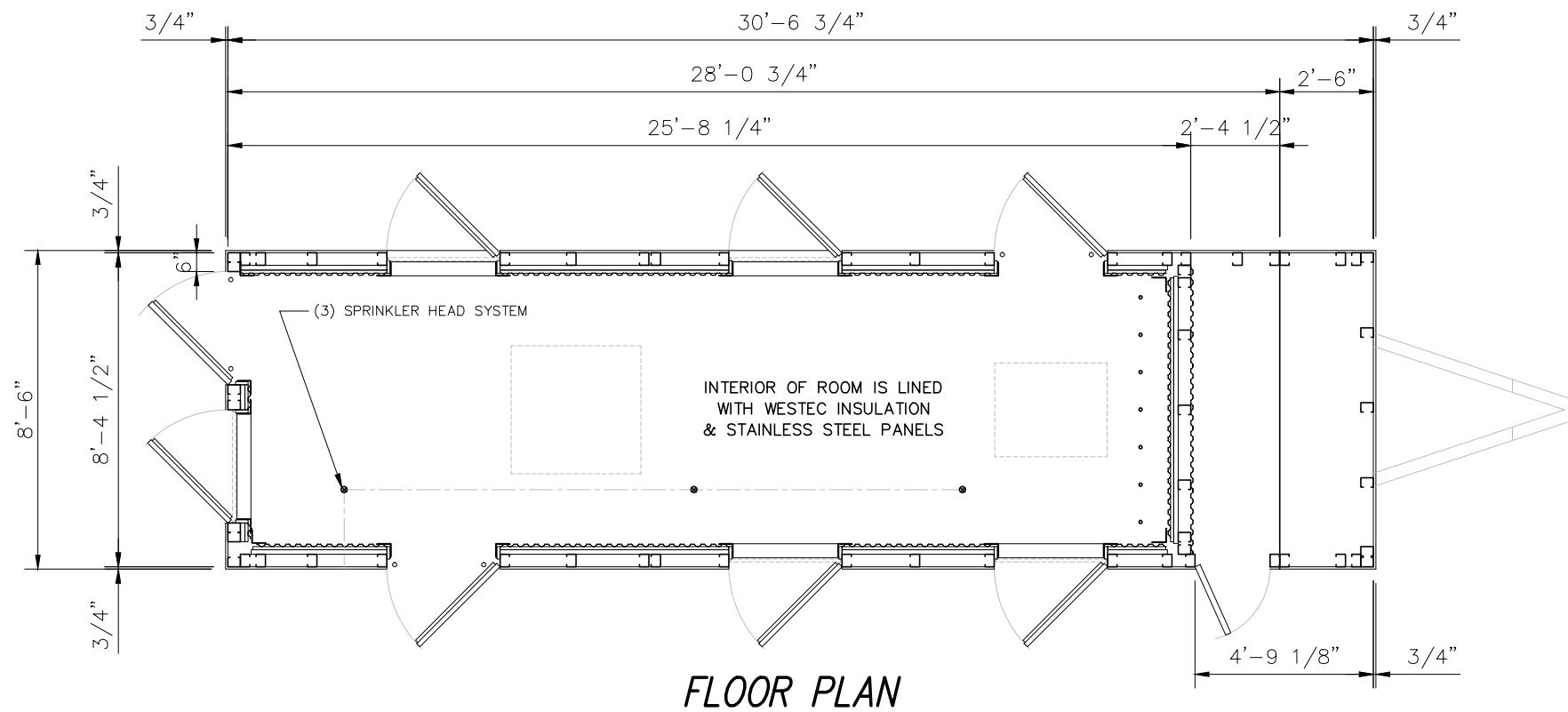


SCALE: 1/2" = 1'-0"



SCALE: 1/2" = 1'-0"

| REVISIONS | by |
|-----------|----|
| | |
| | |
| | |
| | |
| | |
| | |
| | |
| | |
| | |
| | |
| | |

THIS DRAWING AND ALL PARTS THEREOF IS THE EXCLUSIVE PROPERTY OF FIRE FACILITIES, INC.,
 314 WILBURN ROAD, SUN PRAIRIE, WI 53590
 OFFICE: (608) 327-4100 FAX (608) 834-1843
 AND MAY NOT BE REPRODUCED IN WHOLE OR PART WITHOUT WRITTEN PERMISSION.

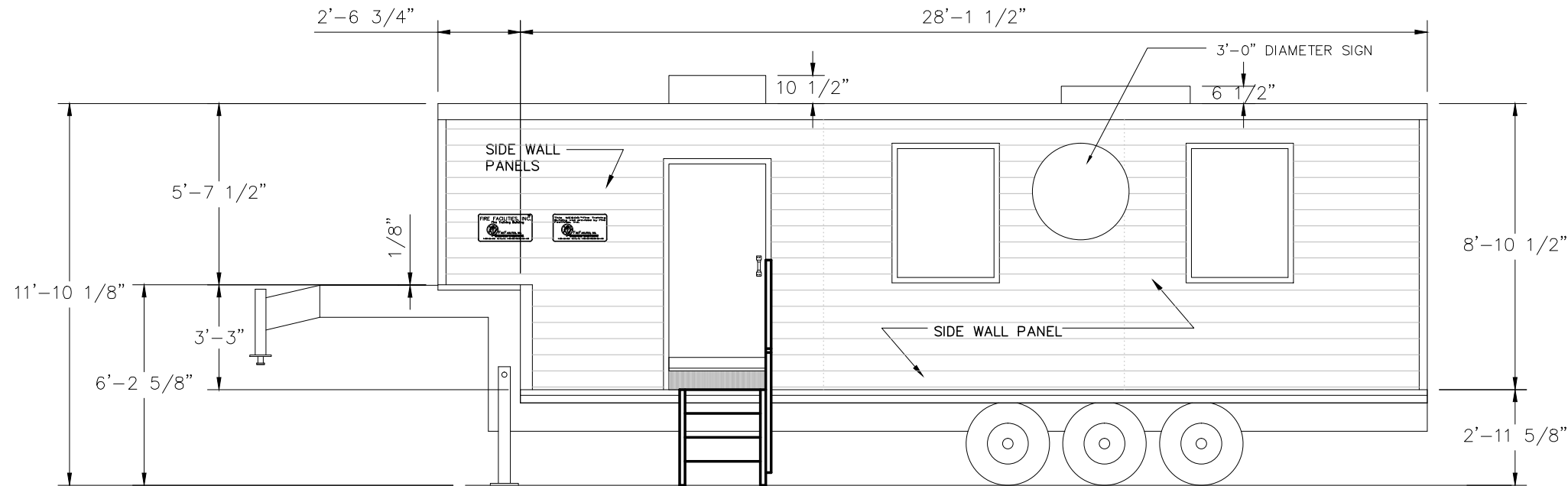
FIRE FACILITIES
 STEEL FIRE TRAINING TOWERS



FIRE FACILITIES, INC.
 314 WILBURN ROAD, SUN PRAIRIE, WI 53590
 OFFICE: (608) 327-4100 FAX: (608) 834-1843
 TOLL FREE: (800) 929-3726 TOLL FREE FAX: (866) 639-7012
 WWW.FIREFACILITIES.COM, INFO@FIREFACILITIES.COM

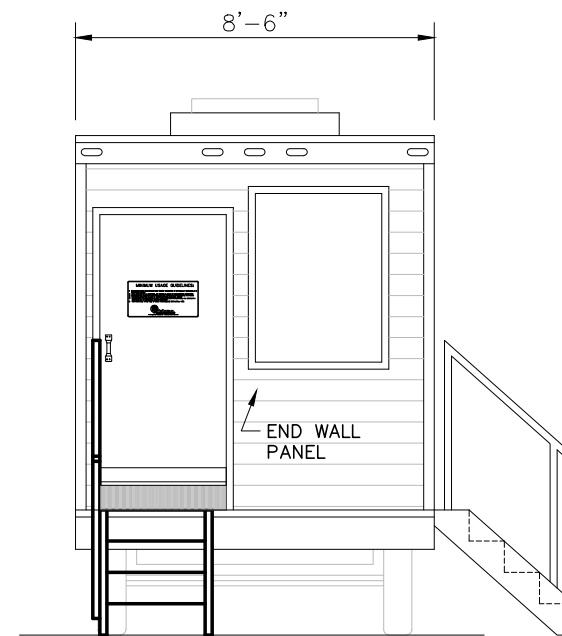
| | |
|-----------------|-------------------------------|
| Job Description | WESCO MODEL MBR-25 TYPICAL |
| Doc: | 082013 |
| Drawn by | |
| Checked by | SPW |
| Scale | SHOWN |
| Order No. | |
| Sheet No. | |

FLOOR AND ROOF PLAN



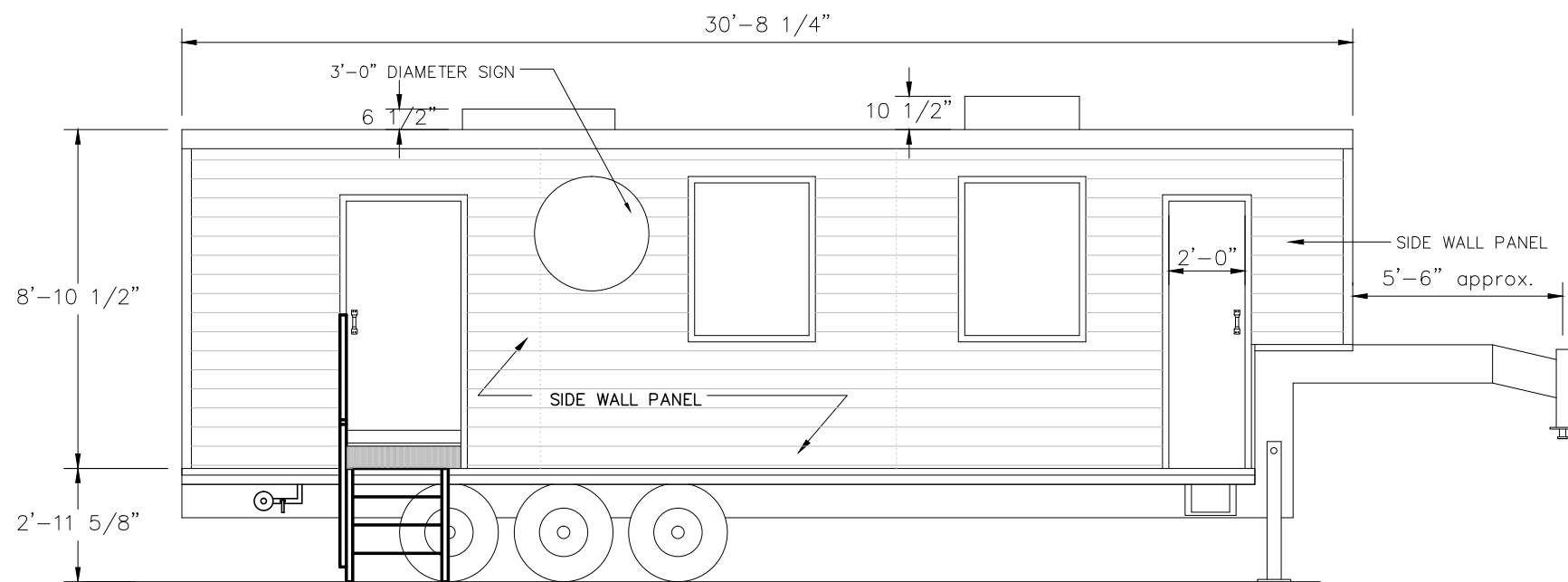
STREET SIDE ELEVATION

SCALE: 1/2" = 1'-0"



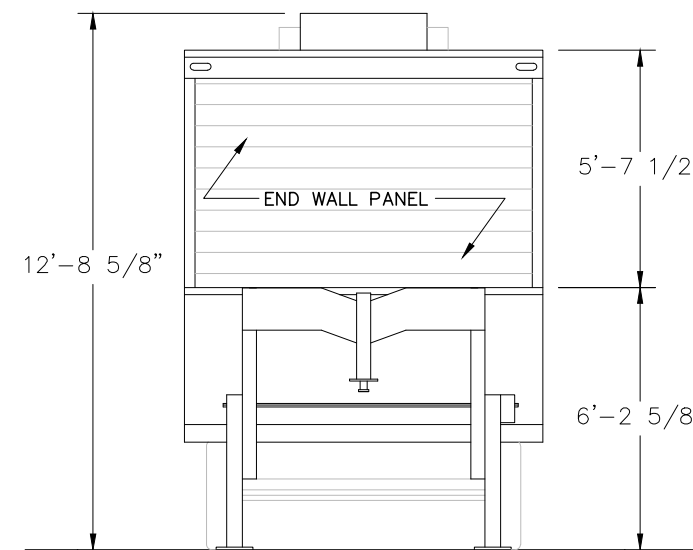
REAR END ELEVATION

SCALE: 1/2" = 1'-0"



CURB SIDE ELEVATION

SCALE: 1/2" = 1'-0"



FRONT END ELEVATION

SCALE: 1/2" = 1'-0"

| REVISIONS | by |
|-----------|----|
| | |
| | |
| | |
| | |
| | |
| | |
| | |
| | |
| | |
| | |
| | |

THIS DRAWING AND ALL PARTS THEREOF IS THE EXCLUSIVE PROPERTY OF FIRE FACILITIES, INC., 314 WILBURN ROAD, SUN PRAIRIE, WI 53590 OFFICE: (608) 327-4100 FAX (608) 834-1843 AND MAY NOT BE REPRODUCED IN WHOLE OR PART WITHOUT WRITTEN PERMISSION.

FIRE FACILITIES
STEEL FIRE TRAINING TOWERS



FIRE FACILITIES, INC.
314 WILBURN ROAD, SUN PRAIRIE, WI 53590
OFFICE: (608) 327-4100 FAX: (608) 834-1843
TOLL FREE: (800) 929-3726 TOLL FREE FAX: (866) 639-7012
WWW.FIREFACILITIES.COM, INFO@FIREFACILITIES.COM

WESCO MODEL MBR-25
TYPICAL

Job Description
Doc: 082013
Drawn by
Checked by SPW
Scale SHOWN
Order No.
Sheet Title ELEVATIONS
Sheet No.

02 of 02